



S2 KONNECT

S2Konnnect N-2020T
10/100/1000Base-T Dual Port
Server Adapter, PCI-X

User Manual

Copyright © S2Konnnect GmbH, 2010. All rights reserved.

This manual refers to the S2Konnnect N-2020T Dual Port Server Adapter. Contents are subject to change without notice.

Product and brand names are (registered) trademarks of their appropriate owners.

If you have comments on this documentation, please send to:

S2Konnnect GmbH
Siemensstrasse 23
76275 Ettlingen / Germany

Conventions

The following conventions apply to this manual.

Warning and Notes



Used to indicate a potentially hazardous situation which, if not avoided, could result in death or serious injury. Example: dangerous voltage.



Used to indicate a potentially hazardous situation which, if not avoided, may result in minor or moderate injury. Example: electrostatic discharge.



Used for additional information and advice.

Table of Contents

Conventions	4
Warning Notes	4
Safety Precautions	7
Avoiding injuries	7
Avoiding damage	7
1 Introduction	8
2 System requirements	8
3 Installation of the S2Kconnect N-2020T 10/100/1000Base-T Network Interface Card	8
4 Connection of the S2Kconnect Network Interface Card	9
Transmission Distances	9
Connection to the Network	9
5 Hardware Features	10
Connection options	10
1. Redundancy	10
2. Link Aggregation	10
3. Dual Net	11
Technical Specifications	12
6 Adapter Characteristics	12
6.1 Technical Data	13
6.2 LEDs	16
7 Important Information	17
Technical Support	17
Appendix A. License and Warranty Information	18
The Americas, Asia, Australia, New Zealand, Pacific	18
Europe	19
Deutschland, Schweiz, Österreich, Lichtenstein	20

Table of Figures

Figure 1 : Connection of the RJ-45 / plug

Figure 2 : Redundancy

Figure 3 : Link Aggregation

Figure 4 : Dual Net

Figure 4 : Connection of Switches

Figure 5 : Bracket of the N-2020T

Safety Precautions

To protect yourself from injuries and avoid damage to your computer and to the S2Kconnect N-2020T 10/100/1000Base-T Network Interface Card, always observe the following safety instructions.

Avoiding injuries



Electrical current!

Electrical current from power, phone, and communications cables can be hazardous. Never touch any electrical elements with bare hands.

To avoid potential shock hazards:

- Do not carry out any installation, maintenance, or (re)configuration work during a thunderstorm.
- Do not connect or disconnect any power cables during a thunderstorm.
- Unplug the computer device from its power source before doing any installation work or work with the opened computer.
- Do not pinch, crimp or otherwise damage the power cord. If exposed to foot traffic, ensure that the cable is properly shielded and does not pose a tripped hazard.
- If using an extension cord, make sure the total ampere rating of the products using the cord does not exceed the extension cord's ampere rating.
- Do not connect the network adapter to a telephone line.
- For installation into systems which are supporting Hot-Plug and will be not disconnected from electrical power system read the relevant documentation first.

Electrical installations must comply with the safety regulations of the country in which they are operated.

Avoiding damage



Electrostatic discharge!

Electrostatic discharge may damage or destroy the S2Kconnect N-2020T 10/100/1000Base-T Network Interface Card.

To avoid damaging the S2Kconnect N-2020T 10/100/1000Base-T Network Interface Card observe the following:

- Never use force when working with the S2Kconnect N-2020T 10/100/1000Base-T Network Interface Card.
- Do not place the S2Kconnect N-2020T 10/100/1000Base-T Network Interface Card on an unstable surface. The device may fall causing serious damage to the device.
- Switch off power of the computer.
- Disconnect the power cord from the computer before removing any cover of the housing.
- Remove the computer cover.
- Please follow the instructions for antistatic protection of your system and network adapter. Put on an antistatic wrist strap.
- Connect the wrist strap to the ground terminal of the power supply!
- Open the antistatic bag only after the wrist strap is connected. Hold the bag for a few seconds in your hands before opening! Contact the antistatic bag to one bracket of an expansion slot or a metal surface of the housing of your computer (at least 2 seconds to avoid different charges of the units before installing the card).
- Do not place the card direct to any metal surface of the computer, place the card if needed back to the antistatic bag and begin the procedure of discharging again if you are ready to install the card.
- Do not touch any circuits or the gold contacts on the network adapter.
- Do not move. This may increase electrostatic charge of your body.

1 Introduction

Thank you for purchasing an S2Kconnect product.

This document describes the installation of the network adapter card.

The N-2020T is a PCI-X adapter which must be installed in a PCI-X slot of the computer.

The adapter contains a Network chipset "Marvell 88E8022"

2 System requirements

Computer System:

The N-2020T Adapter is a typical server adapter supporting high throughput of data.

You may utilize this adapter in any system supporting PCI 32-Bit, PCI-64 Bit bus or PCI-X bus with 33 MHz, 66 MHz, 100 MHz or 133 MHz. The best performance you will get in system slots with PCI-X and 133 MHz.

Cable:

You must use a Category 5 unshielded twisted pair cable for 100 MB/s or Gigabit (1000MB/s) transfer rates.

3 Installation of the S2Kconnect N-2020T 10/100/1000Base-T Network Interface Card

The installation of the S2Kconnect N-2020T 10/100/1000Base-T Network Interface Card is easy.

3.1 Installation on a hot plug system:

Please follow the instructions of the computer system.

3.2 Installation in a server or desktop system without hot plug support.

To install the S2Kconnect N-2020T 10/100/1000Base-T Network Interface Card on a computer, you have to follow the instruction below:

1. Turn off the computer.
2. Disconnect the computer Power Cord for safety reason.
3. Remove the cover of the computer case (follow the instructions you will find in the computers manual).
4. Find a slot for inserting the card, remove the blind bracket and insert the N-2020T.
5. Fix the N-2020T like shown in the computer manual (Screw, other fixes...)
6. Return the computer case cover (see computer manual).
7. Connect all cable for the Network, please be careful by installing the cable to a switch or other unit. You may have to power down the units before installing cable.
8. Connect all power cable to the units.
9. Switch on power.
10. Install the driver software for the used operating system. Follow the instruction of the Operating system. Additional Info and newest driver for supported Operating Systemns you will also find on the download section of our website www.s2kconnect.com, on the website of SysKconnect (www.syskconnect.com) and Marvell (www.marvell.com).

The adapter contains a Network chipset "Marvell 88E8022"

4 Connection of the S2Kconnect Network Card

This chapter describes the physical connection of the S2Kconnect N-2020T 10/100/1000Base-T Network Interface Card to a network system.

Transmission Distances

All ports of the N-2020T are supporting 10/100/1000BaseT connections on Copper Category 5 unshielded twisted pair cable with a maximum distance of 100m.

Connection to the Network

You can connect the S2Kconnect N-2020T 10/100/1000Base-T Network Interface Card to a network station or even uplink them to a network server. Thus, by connecting smaller network segments through a switch you can expand the transmission range of your overall network.

In order to connect the S2Kconnect Network Card to a network, proceed as follows:

1. If possible, disconnect Switches from the power supply.
2. At one end of the cable connect the RJ-45 connector to the port on the S2Kconnect Network Card.

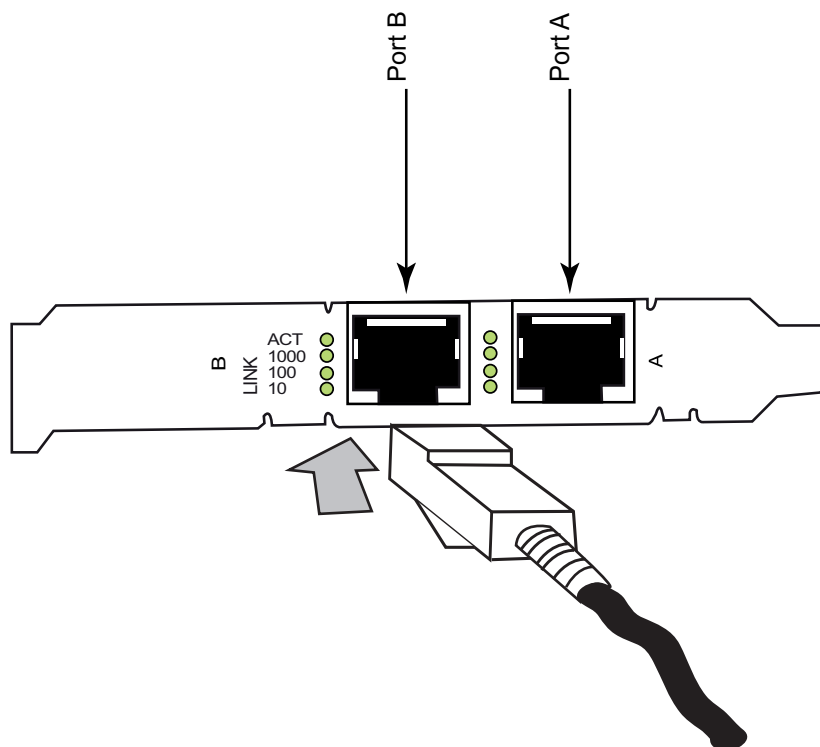


Figure 1. Connection of the RJ-45 / plug

3. At the other end of the cable connect the connector to the port on the network device. The port type (e.g. 1000Base-T) on the network device and that in the S2Kconnect Network Card must be identical.
4. Reconnect the Switch and other units to the power supply.
5. Turn on the network device and the Switch or other station.
6. Check the SPD/LNK/ACT LED belonging to the port you plugged in the plug to find out if the cable is connected correctly.
If the LED is on, the connection is established and active. Otherwise you have to check the S2Kconnect units more closely (for details, refer to section "LED Displays" on p. 19).

5 Hardware Features

The S2Kconnect N-2020T 10/100/1000Base-T Network Interface Card are designed for easy installation and high performance in environments with varying traffic loads and multiple users.

The network cards can be connected to different equipment in the network. Connections maybe done with different backgrounds, such as aggregation connections to get a higher throughput, establish redundant connections for failover or connect the cards with each ports to different networks for routing or inspection purposes.

Connection options:

1. Redundancy (Redundant Link Management Technology)
One port is active and all traffic is going through that port, a second port is active but without traffic.
If active port is disconnected or any infrastructure (cable, switch...) that is between the adapter an network is damaged the other port will take over.
(please refer to Redundant Link Management Technology installation on the software readme file).

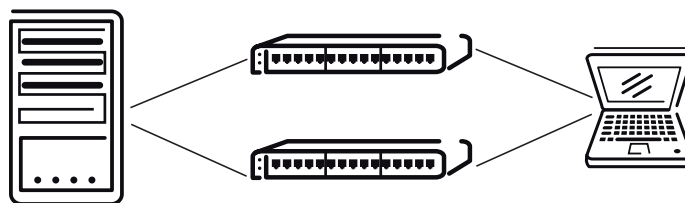


Figure 2. Picture RLMT

2. Link Aggregation

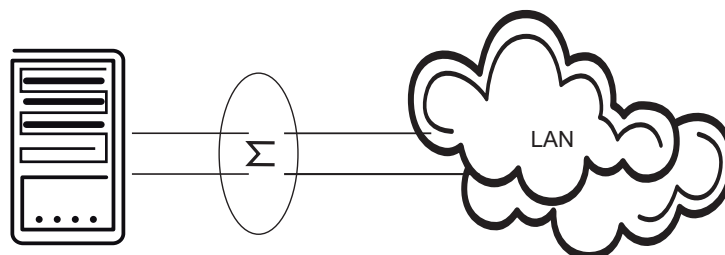


Figure 3. Picture Aggregation

3. Dual Net

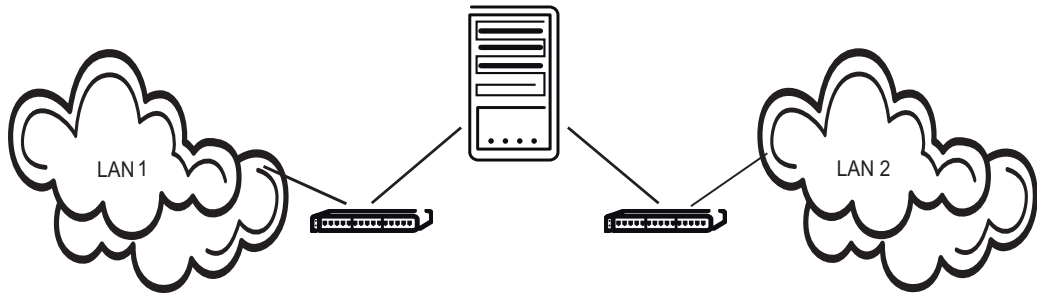
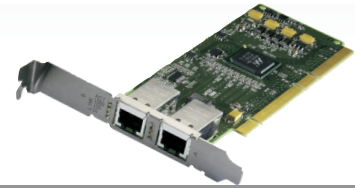


Figure 4. Picture Dual Net

6 Adapter Characteristics

6.1 Technical Data



N-2020T - 10/100/1000Base-T Dual Port Server Adapter, PCI-X, 2 x RJ-45

Product Highlights

- PCI Low Profile (Bracket included)
- WoL support
- Auto MDI/MDI-X Crossover at all speeds and ports
- Compatible to SysKonnnect SK-9S22

Features

- Ultra Deep RAM, Parity monitoring on all data paths
- TCP, UDP, and IP checksum generation and checking on chip
- Jumbo Frame
- Dynamic Interrupt Moderation
- Advanced Power Management (ACPI)
- TCP Segmentation for reducing the CPU Load
- Promiscuous Mode / Multicast support
- PXE / RPL Support
- Boot Agent ROM
- Reliability Feature
- Link Aggregation according IEEE 802.3ad(Trunking)
- Redundant Link Management Technology
- Redundant Switch Failover
- Hot Plug
- Sensors for Temperature, important voltages
- Virtual LAN Support
- Diagnostic SW
- Network Control Software App for Windows
- Dual NET Support



N-2020T - 10/100/1000Base-T Dual Port Server Adapter, PCI-X, 2 x RJ-45

Standard Compliances

- IEEE 802.3x with Flow control / Auto-negotiation
- IEEE 802.1p Quality of Service
- IEEE 802.3ab Gigabit Ethernet standards
- IEEE 802.3 and IEEE 802.3u (Ethernet and Fast Ethernet)

Driver

- X86 : Windows 7, Windows Vista, Windows XP, Windows 2000, Windows 2003 (.Net), NT4, Windows98 SE, ME
- x64 : Windows 7, Windows Vista, Windows XP, Windows 2003 (.Net)
- Solaris : SPARC 32:7,8,9
- Solaris : Intel X86:8,9,10
- Solaris : X64:10
- Linux : X86:Kernel 2.2, Kernel 2.4, Kernel 2.6
- NetWare : X86:4.2, 5.x, 6.x, DOS ODI
- Mac OS X : 10.2, 10.3, 10.4
- FreeBSD : X86:5.1, 5.2, 5.3, 5.4, 6.0
- OS/2: X86:3.0 and higher
- UnixWare : X86:7.1x
- DOS : Intel X86:NDIS2, ODI, PXE

Boot Options

- Standard PXE 2.1 (Pre-Boot eXecution Environment)
- RPL (Remote Program Load)

Additional Software

- Diagnostic SW (DOS, Windows)
- Network Control Software App for Windows



N-2020T - 10/100/1000Base-T Dual Port Server Adapter, PCI-X, 2 x RJ-45

Safety Standards

- CSA, CB, CE, UL - VCCI
- EN60950, IEC 60950, VDE 0805
- cULus listed accessory (UL 60950, CSA C22.2)

EMC

- CE : EN55022; IEC - CISPR-22 Class B
- US : FCC, CFR 47 Part 15, Conformity Class B

Environment Specifications

- Storage: -20°C to +70°C, 30% to 80% rel. humidity (non-condensing)
- Operating: -0°C to +50°C, 10% to 95% rel. humidity (non-condensing)

ROHs

- Compliant with EN 2002/95/EU

Power Consumption

- Single port : @ +3.3V / VCC: max. 0.9 A / 3 W @ +3.3V(aux): max. 375 mA
- Dual port : @ +3.3V / VCC: max. 1.8 A / 6 W @ +3.3V(aux): max. 375 mA

Dimension

- 118.4 mm x 68.94 mm (without Bracket)

Weight

- Weight : Unit 86 g

Warranty

- 2 Years

© Copyright 2010 S2Kconnect

All rights reserved. All brand and product names are trademarks or registered trademarks of their respective holders. Specifications are subject to change without notice.

Germany

S2Kconnect GmbH
Siemensstrasse 23
D-76275 Ettlingen
Phone: +49 7243 3435725
Fax: +49 7243 3435723
E-mail: sales@s2kconnect.de

www.s2kconnect.com

6.2 LED's

The LEDs of the S2Kconnect N-2020T 10/100/1000Base-T Network Interface Card have the following meaning:

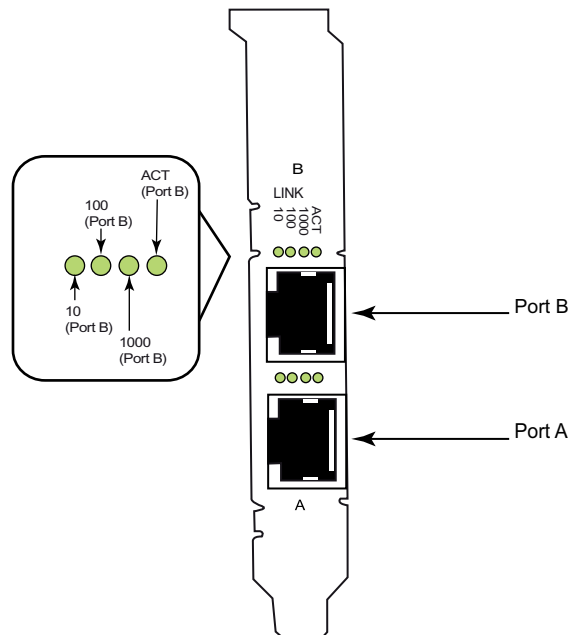


Figure 5. Bracket of the N-2020T

The LEDs of the S2Kconnect copper adapters have the following meaning:

Marking on bracket	Color	Status	Description
10	green	ON/OFF	Link up/down, speed 10 Mbits/s
100	green	ON/OFF	Link up/down, speed 100 Mbits/s
1000	green	ON/OFF	Link up/down, speed 1000 Mbits/s
ACT	green	ON/OFF	Receiving/Transmitting / Not Receiving/Not Transmitting /

The LEDs of the S2Kconnect fiber adapters have the following meaning:

Marking on bracket	Color	Status	Description
1000/Link	green	ON/OFF	Link up/down, speed 1000 Mbits/s
ACT	green	ON/OFF	Receiving/Transmitting / Not Receiving/Not Transmitting /

7 Important Information

Technical Support

If you encounter any problems, read the relevant section of the manual. If you cannot solve your problems, consult our technical support.

If you contact our technical support engineers, have the following information ready:

- switch type
- configuration of your network
- type of cabling
- system documentation

Our support team can be reached following the instructions on our website.

Please go to www.s2kconnect.com, support section.

You will also find the procedure for returning a switch for repair on that section.



S2Kconnect cannot accept any returned product without an RMA number on the outer packaging. The warranty does not apply to products that have been damaged by electrostatic discharge or inadequate packaging

Appendix A. License and Warranty Information

The Americas, Asia, Australia, New Zealand, Pacific

Dear Customer,

if you acquired your S2Kconnect product in the UNITED STATES, CANADA or any other country in the AMERICAS, ASIA, AUSTRALIA, NEW ZEALAND, PACIFIC, the following license and purchase agreement applies to you.

This is a legal agreement between you, the end user and S2Kconnect based in Ettlingen/Federal Republic of Germany.

S2Kconnect GmbH. License and Purchase Agreement

By opening the sealed disk package and taking possession of the hardware, you are agreeing to be bound by the terms of this Agreement. If you do not agree to the terms of this Agreement, promptly return the unopened and unused disk package and hardware with the accompanying items (including all written materials and other accessories) to the place of purchase for a full refund.

Grant of Software License

This S2Kconnect GmbH License Agreement (License) permits you to use one copy of the S2Kconnect software product acquired with this License ("SOFTWARE") on any single computer, provided the SOFTWARE is in use on only one computer at any time. If you have multiple Licenses for the SOFTWARE, then at any time, you may have as many copies of the SOFTWARE in use as you have Licenses. The SOFTWARE is "in use" on a computer when it is loaded into the temporary memory (i.e. RAM) or installed into the permanent memory (e.g. hard disk or other storage device) of that computer, except that a copy installed on a network server for the sole purpose of distribution to other computers is not "in use". If the anticipated number of users of the SOFTWARE will exceed the number of applicable Licenses, then you must have a reasonable mechanism or process in place to assure that the number of persons using the SOFTWARE concurrently does not exceed the number of Licenses. If the SOFTWARE is permanently installed on the hard disk or other storage device of a computer (other than a network server) and one person uses that computer more than 80% of the time it is in use, then that person may also use the SOFTWARE on a portable or home computer.

Copyright

The SOFTWARE is owned by S2Kconnect GmbH or its suppliers and is protected against copying by copyright laws, international treaty provisions and other national laws.

If the SOFTWARE is not copy protected you may either make one copy of the SOFTWARE solely for backup or archival purposes, or transfer the SOFTWARE to a single hard disk provided you keep the original solely for backup or archival purposes.

You may not copy the Product Manual(s) or written materials accompanying the SOFTWARE or HARDWARE.

Other Restrictions

You may not rent or lease the SOFTWARE or HARDWARE, but you may transfer your rights under this S2Kconnect GmbH License and Purchase Agreement on a permanent basis provided you transfer all copies of the SOFTWARE and all written materials, and the recipient agrees to the terms of this Agreement.

You may not reverse engineer, decompile or disassemble the SOFTWARE. Any transfer must include the most recent update and all prior versions.

Hardware

S2Kconnect GmbH warrants, that the hardware will be delivered free from defect and in working condition. S2Kconnect GmbH does not assume liability for nor warrant damage to the hardware after delivery. S2Kconnect also does not warrant total applicability for specific applications or customer network environments.

Limited Warranty for Hardware and Software

Limited Warranty

S2Kconnect warrants that the SOFTWARE will perform substantially in accordance with the accompanying Product Manual(s) for a period of 90 days from the date of receipt.

S2Kconnect warrants that NETWORK INTERFACE CARDS will be free from defects in materials and workmanship under normal use and service for a period of 2 years from the date of receipt, that NETWORK INFRASTRUCTURE COMPONENTS (e.g., hubs, switches, concentrators) will be free from defects in materials and workmanship under normal use and service for a period of 2 years from the date of receipt, and other HARDWARE for a period of 6 months from the date of receipt respectively.

This warranty is given by S2Kconnect as producer of the PRODUCT; possible legal warranty or liability claims against the dealer, whom you have acquired your SOFTWARE or HARDWARE product from, shall neither be replaced by nor limited through this warranty.

Customer Remedies

S2Kconnect's entire liability and your exclusive remedy shall be, at S2Kconnect's option, either return of the price paid, or repair or replacement of the SOFTWARE or HARDWARE that does not meet S2Kconnect's Limited Warranty and which is returned to S2Kconnect GmbH with a copy of your receipt. This Limited Warranty is void if failure of the SOFTWARE or HARDWARE has resulted from accident, abuse, or misapplication. Any replacement SOFTWARE will be warranted by S2Kconnect GmbH only for the remainder of the original warranty period or 30 days, whichever is longer. Any replacement HARDWARE will be warranted for the remainder of the original warranty period or 6 months, whichever is longer.

No other Warranties

S2Kconnect GmbH disclaims all other warranties or liabilities with respect to the SOFTWARE, the HARDWARE, the accompanying Product Manual(s) and other written materials and any other accessories.

No Liability for Consequential Damages

S2Kconnect GmbH does not warrant the software and hardware for a specific application, nor does S2Kconnect accept any consequential damages due to the use of the hardware or software. S2Kconnect GmbH and its suppliers shall not be liable for any other damages whatsoever (including, without limitation, damages for loss of business profits, business interruption, loss of business information or data, property loss or other financial loss), arising out of the use of or the inability to use this S2Kconnect product, even if S2Kconnect GmbH has been advised of the possibility of such damages. In any case, S2Kconnect's entire liability shall be limited to the amount actually paid by you for the product.

Other

This agreement is governed by the procedural and substantive laws of the State California, U.S.A.. UN Trade Laws shall not be applicable in any case.

Should individual stipulations of this Agreement be or become invalid, this invalid stipulation shall be replaced by a stipulation, which is as close as possible to the invalid stipulation.

Should you have any questions concerning this Agreement, or if you desire to contact S2Kconnect GmbH for any reason, please use the address information enclosed in this product or write to: S2Kconnect GmbH, Siemensstrasse 23, D-76275 Ettlingen, (Germany).

U.S. Government Use

Use, duplication, or disclosure by the United States Government is subject to restrictions as set forth in FAR § 52.227-14 (June 1987) Alternate III(g)(3) (June 1987), FAR § 52.227-19 (June 1987), or DFARS § 52.227-7013 (c)(1)(!!) (June 1988), as applicable. Contractor / Manufacturer is S2Kconnect.

Europe

Dear Customer,

if you acquired your S2Kconnect product in EUROPE, the following license and purchase agreement applies to you: This is a legal agreement between you, the end user and S2Kconnect GmbH, in Ettlingen/Federal Republic of Germany.

S2Kconnect License and Purchase Agreement

By opening the sealed disk package and taking possession of the hardware, you are agreeing to be bound by the terms of this Agreement. If you do not agree to the terms of this Agreement, promptly return the unopened and unused disk package and hardware with the accompanying items (including all written materials and other accessories) to the place of purchase for a full refund.

Grant of Software License

This S2Kconnect License Agreement (License) permits you to use one copy of the S2Kconnect software product acquired with this License ("SOFTWARE") on any single computer, provided the SOFTWARE is in use on only one computer at any time. If you have multiple Licenses for the SOFTWARE, then at any time, you may have as many copies of the SOFTWARE in use as you have Licenses. The SOFTWARE is "in use" on a computer when it is loaded into the temporary memory (i.e. RAM) or installed into the permanent memory (e.g. hard disk or other storage device) of that computer, except that a copy installed on a network server for the sole purpose of distribution to other computers is not "in use". If the anticipated number of users of the SOFTWARE will exceed the number of applicable Licenses, then you must have a reasonable mechanism or process in place to assure that the number of persons using the SOFTWARE concurrently does not exceed the number of Licenses. If the SOFTWARE is permanently installed on the hard disk or other storage device of a computer (other than a network server) and one person uses that computer more than 80% of the time it is in use, then that person may also use the SOFTWARE on a portable or home computer.

Copyright

The SOFTWARE is owned by S2Kconnect or its suppliers and is protected against copying by copyright laws, international treaty provisions and other national laws.

If the SOFTWARE is not copy protected you may either make one copy of the SOFTWARE solely for backup or archival purposes, or transfer the SOFTWARE to a single hard disk provided you keep the original solely for backup or archival purposes.

You may not copy the Product Manual(s) or written materials accompanying the SOFTWARE or HARDWARE.

Other Restrictions

You may not rent or lease the SOFTWARE or HARDWARE, but you may transfer your rights under this S2Kconnect License and Purchase Agreement on a permanent basis provided you transfer all copies of the SOFTWARE and all written materials, and the recipient agrees to the terms of this Agreement. You may not reverse engineer, decompile or disassemble the SOFTWARE. Any transfer must include the most recent update and all prior versions.

Hardware

The risk passes to you, the end user, upon taking possession (hand over) of the HARDWARE. Total qualities were not warranted.

Limited Warranty for Hardware and Software

Limited Warranty

S2Kconnect warrants that the SOFTWARE will perform substantially in accordance with the accompanying Product Manual(s) for a period of 90 days from the date of receipt if you have created the required technical preconditions.

S2Kconnect warrants that NETWORK INTERFACE CARDS will be free from defects in materials and workmanship under normal use and service for a period of 5 years from the date of receipt, that NETWORK INFRASTRUCTURE COMPONENTS (e.g., hubs, switches, concentrators) will be free from defects in materials and workmanship under normal use and service for a period of 2 years from the date of receipt, and other HARDWARE for a period of 6 months from the date of receipt respectively.

Any implied warranties on the SOFTWARE are limited to 90 days, to 5 years on the NETWORK INTERFACE CARDS, to 2 years on the NETWORK INFRASTRUCTURE COMPONENTS and to 6 months on all other hardware. This warranty is given by S2Kconnect as producer of the PRODUCT; possible legal warranty or liability claims against the dealer, whom you have acquired your SOFTWARE or HARDWARE product from, shall neither be replaced by nor limited through this warranty.

Customer Remedies

S2Kconnect's entire liability and your exclusive remedy shall be, at S2Kconnect's option, either return of the price paid, or repair or replacement of the SOFTWARE or HARDWARE that does not meet S2Kconnect's Limited Warranty and which is returned to S2Kconnect with a copy of your receipt. This Limited Warranty is void if failure of the SOFTWARE or HARDWARE has resulted from accident, abuse, or misapplication. Any replacement SOFTWARE will be warranted by S2Kconnect only for the remainder of the original warranty period or 30 days, whichever is longer. Any replacement HARDWARE will be warranted for the remainder of the original warranty period or 6 months, whichever is longer.

No other Warranties

S2Kconnect disclaims all other warranties or liabilities with respect to the SOFTWARE, the HARDWARE, the accompanying Product Manual(s) and other written materials and any other accessories.

No Liability for Consequential Damages

S2Kconnect does not warrant the software and Hardware for a specific application, nor does S2Kconnect accept any consequential damages due to the use of the hardware or software. S2Kconnect and its suppliers shall not be liable for any other damages whatsoever (including, without limitation, damages for loss of business profits, business interruption, loss of business information or data, property loss or other pecuniary loss), arising out of the use of or the inability to use this S2Kconnect product, even if S2Kconnect has been advised of the possibility of such damages. In any case, S2Kconnect's entire liability shall be limited to the amount actually paid by you for the product.

Other

This agreement is governed by the procedural and substantive laws of the Federal Republic of Germany. UN Trade Laws shall not be applicable in any case. Place of litigation is Karlsruhe, FRG, as far as this can be agreed upon operatively in this way.

Should individual stipulations of this Agreement be or become invalid, this invalid stipulation shall be replaced by a stipulation, which is as close as possible to the invalid stipulation.

Should you have any questions concerning this Agreement, or if you desire to contact S2Kconnect for any reason, please use the address information enclosed in this product or write to: S2Kconnect GmbH, Siemensstrasse 23, D-76275 Ettlingen, Germany.

Deutschland, Schweiz, Österreich, Liechtenstein

Verehrte Kundin, verehrter Kunde,

wenn Sie Ihr S2Kconnect Produkt in DEUTSCHLAND, in der SCHWEIZ, in ÖSTERREICH oder in LIECHTENSTEIN erworben haben, gilt für Sie der folgende Lizenz- und Kaufvertrag. Dies ist ein rechtsgültiger Vertrag zwischen Ihnen, dem Endanwender, und der S2Kconnect GmbH mit Sitz in Ettlingen/Bundesrepublik Deutschland.

S2Kconnect Lizenz- und Kaufvertrag

Durch Öffnen der versiegelten Diskettenpackung und durch die Inbesitznahme der Hardware erklären Sie sich an die Bestimmungen der nachfolgenden Vereinbarung gebunden. Wenn Sie mit den Bestimmungen dieses Vertrages nicht einverstanden sind, geben Sie bitte die Diskettenpackung und die Hardware ungeöffnet und unbenutzt mit den Begleitgegenständen (einschließlich aller schriftlichen Unterlagen und dem sonstigen Zubehör) unverzüglich gegen volle Rückerstattung des Preises an die Stelle zurück, von der Sie sie bezogen haben.

Einräumung einer Software-Lizenz

Diese S2Kconnect Lizenzvereinbarung (Lizenz) gibt Ihnen die Berechtigung, eine Kopie des S2Kconnect Software Produktes, das mit dieser Lizenz (Software) erworben wurde, auf einem Einzelcomputer unter der Voraussetzung benutzen, dass die Software zu jeder beliebigen Zeit auf nur einem einzigen Computer verwendet wird. Wenn Sie Mehrfachlizenzen für die Software erworben haben, dürfen Sie immer nur höchstens so viele Kopien in Benutzung haben, wie Sie Lizenzen besitzen. Die Software ist auf einem Computer "in Benutzung", wenn Sie in den Zwischenspeicher (d.h., RAM) geladen oder in einem Permanentenspeicher (z.B. einer Festplatte oder einer anderen Speichervorrichtung) dieses Computers gespeichert ist, mit der Ausnahme, dass eine Kopie, die auf einem Netzserver zu dem alleinigen Zweck der Verteilung an andere Computer installiert ist, nicht "in Benutzung" ist. Wenn die voraussichtliche Zahl der Benutzer der Software die Zahl der erworbenen Lizenzen übersteigt, müssen Sie angemessene Mechanismen oder Verfahren bereithalten, um sicherzustellen, dass die Zahl der Personen, die die Software gleichzeitig benutzen, nicht die Zahl der Lizenzen übersteigt. Wenn die Software permanent auf einer Festplatte oder einer anderen Speichervorrichtung eines Computers, der kein Netzserver ist, installiert wird und eine einzige Person diesen Computer zu mehr als 80 % der Zeit benutzt, die er in Benutzung ist, darf diese eine Person die Software auch auf einem tragbaren Computer oder einem Heimcomputer benutzen.

Urheberrecht

Die Software ist Eigentum von S2Kconnect oder deren Lieferanten und ist durch Urheberrechtsgesetze, internationale Verträge und andere nationale Rechtsvorschriften gegen Kopieren geschützt.

Wenn die Software nicht mit einem technischen Schutz gegen Kopieren ausgestattet ist, dürfen Sie entweder eine einzige Kopie der Software ausschließlich für Sicherungs- oder Archivierungszwecken machen die Software auf eine einzige Festplatte übertragen, sofern Sie das Original ausschließlich zu Sicherungs- und Archivierungszwecken aufbewahren.

Sie dürfen weder die Handbücher des Produktes noch anderes schriftliches Begleitmaterial zur Software oder Hardware kopieren.

Weitere Beschränkungen

Sie dürfen die Software oder Hardware weder vermieten noch verleihen, aber Sie dürfen die Rechte aus diesem S2Kconnect Lizenz und Kaufvertrag auf Dauer auf einen anderen übertragen, vorausgesetzt, dass Sie alle Kopien der Software und das gesamte schriftliche Begleitmaterial übertragen und der Empfänger sich mit den Bestimmungen dieses Vertrages einverstanden erklärt. Zurückentwickeln (Reverse Engineering), Dekompilieren und Entassemblieren der Software sind nicht gestattet. Eine Übertragung muß die letzte aktuelle Version (Update) und alle früheren Versionen umfassen.

Hardware

Mit der Inbesitznahme (Übergabe) dieser Hardware geht die Gefahr auf Sie, den Endanwender über. Eigenschaften wurden nicht zugesichert.

Beschränkte Garantie für Hardware und Software

S2Kconnect garantiert für einen Zeitraum von 90 Tagen ab Empfangsdatum, dass die Software, soweit die technischen Voraussetzungen hierfür von Ihnen geschaffen wurden, im wesentlichen gemäß der begleitenden Dokumentation arbeitet. S2Kconnect garantiert für Netzwerkadapterkarten für einen Zeitraum von 5 Jahren, Infrastrukturkomponenten (z.B. Konzentratoren, Hubs, Switches) für einen Zeitraum von 2 Jahren und die sonstige Hardware für einen Zeitraum von 6 Monaten ab Empfangsdatum, dass die gelieferte Hardware bei normaler Benutzung und Wartung frei von Material- oder Verarbeitungsfehlern ist. Die Garantie ist bezüglich der Software auf 90 Tage, bezüglich der Netzwerkadapter auf 5 Jahre für Infrastrukturkomponenten auf 2 Jahre und bezüglich der sonstigen Hardware auf 6 Monate beschränkt. Diese Garantie wird von S2Kconnect als Hersteller des Produktes übernommen; etwaige gesetzliche Gewährleistungs- oder Haftungsansprüche gegen den Händler, von dem Sie Ihr Exemplar der Software oder Hardware bezogen haben, werden hierdurch weder ersetzt noch beschränkt.