



P-3120SX - Dual Port 1000Base-SX XMC Adapter, 2 x Fiber LC/SX

Product Highlights

- Ultra Deep RAM, Parity monitoring on all data paths
- TCP, UDP, and IP checksum generation and checking on chip
- Jumbo Frame support
- XMC

Features

- Ultra Deep RAM, Parity monitoring on all data paths
- TCP, UDP, and IP checksum generation and checking on chip
- Jumbo Frame support
- Dynamic Interrupt Moderation
- Advanced Power Management (ACPI)
- Link Aggregation support

Standard Compliances

- IEEE 802.3ab and IEEE 802.3z (Gigabit Ethernet)
- IEEE 802.3ad (Link Aggregation)
- IEEE 802.1p (Quality of Service)
- IEEE 802.1q and IEEE 802.3ac (VLAN and VLAN tagging)

Driver

- X86: Windows 7, Windows Vista, Windows XP, Windows 2000, Windows 2003 (.Net), NT4, Windows98 SE, ME
- x64: Windows 7, Windows Vista, Windows XP, Windows 2003 (.Net)
- Solaris: SPARC 32:7,8,9
- Solaris: Intel X86:8,9,10
- Solaris: X64:10
- Linux: X86:Kernel 2.4, Kernel 2.6
- NetWare: X86:4.2, 5.x, 6.x, DOS ODI
- Mac OS X:10.2, 10.3, 10.4
- FreeBSD: X86:5.1, 5.2, 5.3, 5.4, 6.0
- UnixWare: X86:7.1x
- DOS: Intel X86:NDIS2, ODI, PXE

P-3120SX - Dual Port 1000Base-SX XMC Adapter, 2 x Fiber LC/SX

Weight

- Weight : Unit. 80 g; Packet 125 g

Warranty

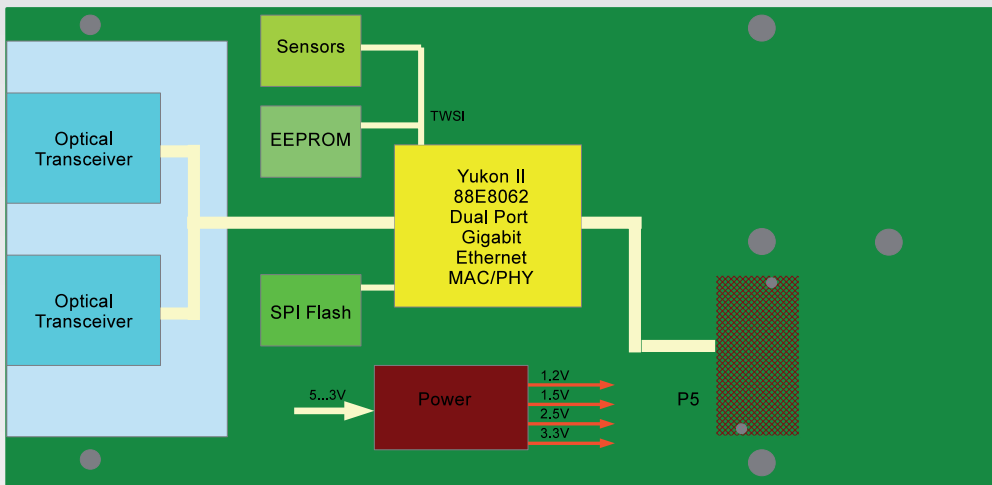
- 2 years

Order Numbers

- 100-005-001-101 P-3120SX Dual Port 1000Base-SX XMC
- 100-005-001-111 P-3120SX Dual Port 1000Base-SX XMC with Conformal Coating

Diagram

- XMC Fiber transceiver:



© Copyright 2010-2012 S2Konnnect

All rights reserved. All brand and product names are trademarks or registered trademarks of their respective holders. Specifications are subject to change without notice.

Germany

S2Konnnect GmbH
Siemensstrasse 23
D-76275 Ettlingen
Phone: +49 7243 3435725
Fax: +49 7243 3435723
E-mail: sales@s2konnnect.de