



DAPSS[xxx]1000 – Passive direct attached cable

Overview

DAPSS[xxx]1000 is a high performance SFP+ Passive Direct Attached Cable integrated duplex data link for bi-directional communication over copper cable for lengths up to 7m.

This Passive Direct Attached Cable is compliant with the Small Form-factor Pluggable (SFP) Multisource Agreement (MSA) and hot pluggable. Always contact Skylane commercial agents for compatibility with different equipment platforms.

Features

- SFP Multi-Source Agreement compliant (SFF-8432 and SFF-8431)
- Hot-pluggable SFP+ footprint
- Support Serial ID
- Lengths up to 7m
- Robust Die Cast Housing
- 24 AWG Cable



Applications

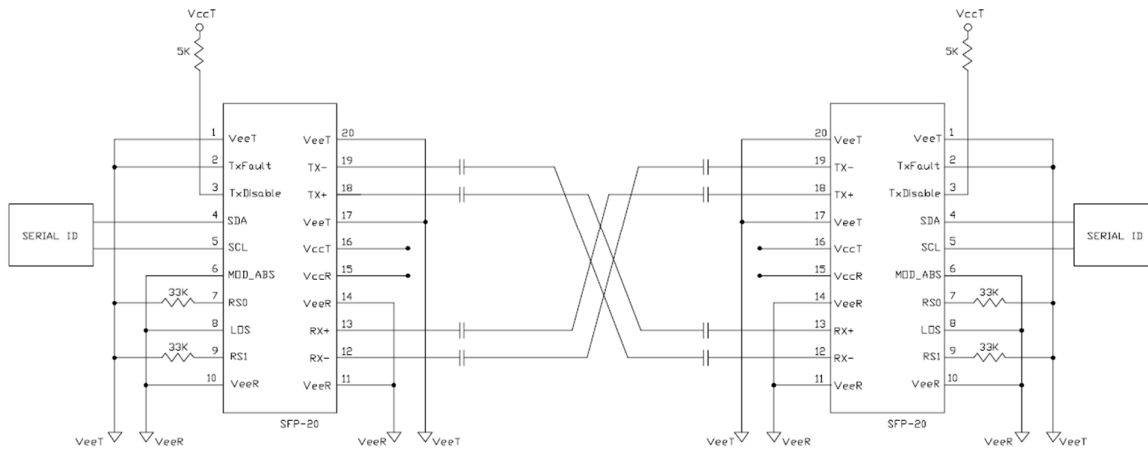
- Data center
- 8G/10G packet SAN & ETHERNET

Ordering information

Part no:	Description
DAPSSC501000	SFP+ to SFP+ Passive Attached Cable . Length: 50cm
DAPSSM011000	SFP+ to SFP+ Passive Attached Cable . Length: 1m
DAPSSM021000	SFP+ to SFP+ Passive Attached Cable . Length: 2m
DAPSSM031000	SFP+ to SFP+ Passive Attached Cable . Length: 3m
DAPSSM051000	SFP+ to SFP+ Passive Attached Cable . Length: 5m
DAPSSM071000	SFP+ to SFP+ Passive Attached Cable . Length: 7m

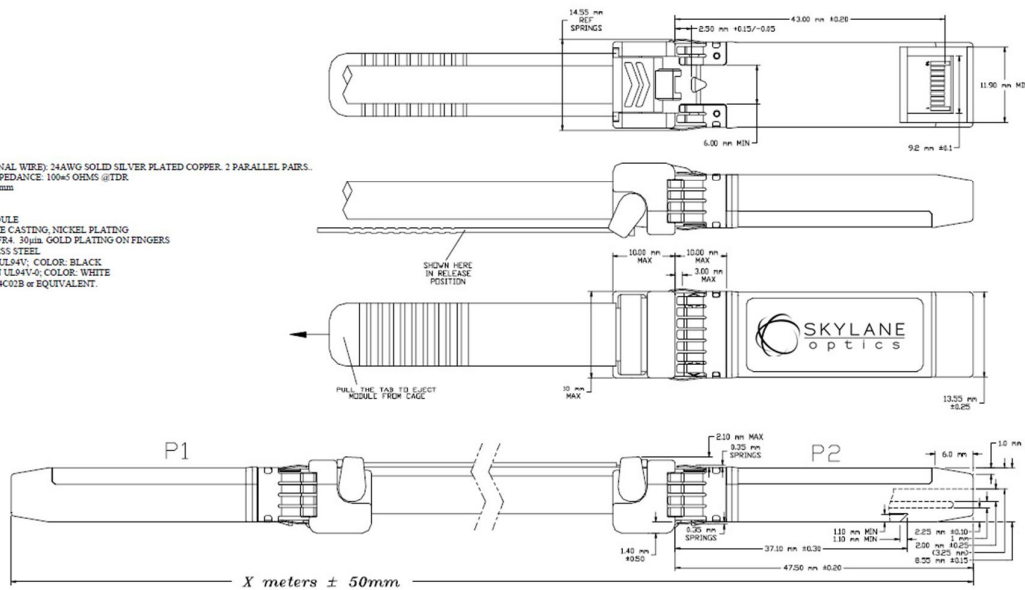


Block diagram



Mechanical Dimensions of Module

- 1.CABLE:
CONDUCTOR (SIGNAL WIRE): 24AWG SOLID SILVER PLATED COPPER, 2 PARALLEL PAIRS.
DIFFERENTIAL IMPEDANCE: 100±5 OHMS @TDR.
JACKET: 0.6±0.1 mm
- 2.CONNECTORS:
P1 & P2: SFP-MODULE
HOUSING: ZINC DIE CASTING, NICKEL PLATING
P.C.B.: 4 LAYERS, FR4, 30µm GOLD PLATING ON FINGERS
SCREWS: STAINLESS STEEL
LATCH: PC RESIN UL94V-0, COLOR: BLACK
PULL TAB: NYLON UL94V-0, COLOR: WHITE
SERIAL ID IC: AT24C02B or EQUIVALENT.





Cable Cross Sesion

